



LED Nano Tri-proof linear light

Features

- This lamp is waterproof, dust prevention and corrosion prevention, so it could be installed in dusty and humid environment.
- Nanometer material is used for the housing, and there is aluminum with high heat conduction inside. In this way, this lamp is not only with high light transmittance but also with good heat dissipation. It looks neater and easy to clear.
- There are four installation ways (ceiling, rotatable on the wall, magnet adsorption and suspended), making the lamp be used for different installation requirement. Very easy to install and operate.
- IP65 waterproof, and there is breather at the end cap. It could be made sure without logged water and mist inside the lamp when working in humid or rainy environment.
- High brightness LED chip, which is Im80 approved, is used. The luminous efficacy reaches up to 150lm/W, meeting the high-grade energy-saving request.
- IP68 waterproof connector could be used together. Under the two sides power input conditions, lamps could be connected together in order to be suitable for complex wiring surroundings, saving time and labor cost and improving work efficiency.
- Newest designed rectangular power supply with iron box, which is PF>0.95, THD<15, no flicking, and 0-10V dimming, is as long as 50,000 hours lifespan.

Dimension



A(±0.5mm)	B(±0.5mm)	C(±1mm)	D(±1mm)
63	63	905	925

Technical Data

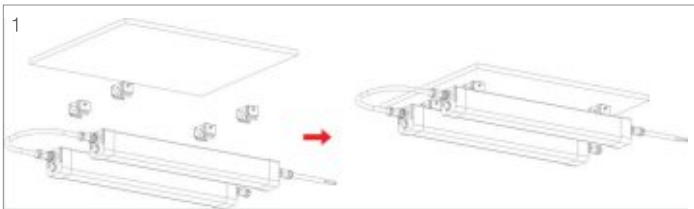
Product Code	ZL-30LLN09M50KIP65
Consumed Power	30W±1
Input Voltage	AC:100V to 240V, 50Hz/ 60Hz
PF	≥0.95
Efficiency	≥ 90%
Lumens	4500lm
CRI	Ra≥80
Beam Angle	160°
Lampshade	Milky cover
Lifespan	≥ 50,000 hours
Operating temperature	-35 ~ 55°C
Storage Temperature	-40 ~ 80°C
IP	IP65
Certificates	CE & RoHS



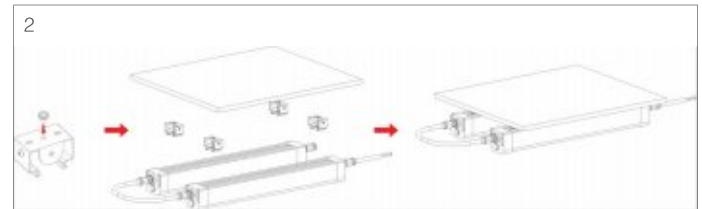
ZOLU LIGHTING



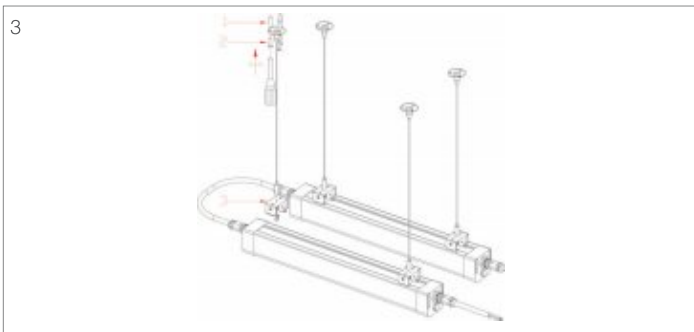
Installation



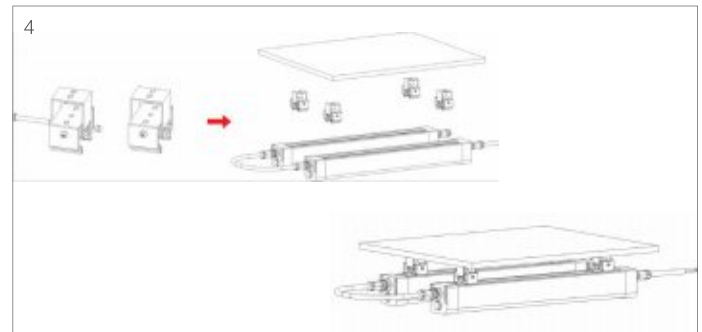
1. Rubber plug and screw is used to fix the clamp on the ceiling.
2. Fix the lamp on the clamp.



1. Fix the powerful magnet on the stainless holder.
2. Fix the holder and lamp.
3. The lamp could be adsorbed on any irony materials



1. Put the rubber plug into the hole on the wall already.
2. Fix the A end of the wire rope and rubber plug with screws.
3. Fix the B end of the wire rope with the stainless steel holder.
4. Fix the stainless steel and the lamp.
5. Adjust the length of wire rope to make the lamp keep balance.



1. Fix the stainless rotatable clips on the wall.
2. Fix the lamp and the stainless rotatable clip.
3. Rotate the lamp to be suitable for the angle needed.
(90 degree rotatable on left or right side)
4. Fix the screws on the rotatable clips.

Attentions

- Working voltage is AC100-240V. Confirm the lamp is working under such voltage. Higher voltage will cause permanent damage.
- After power on, it is forbidden to make any metal touches the base of lamp, to avoid of electric shock.
- After opening the packaging and before installing, check if the lamp is damaged due to the transport. If there are any problems, please contact the supplier. The lamp only could work when it is intact.
- Comply with the instruction and attention to make sure the lamp work normally. The supplier won't be in charge of any loss because of improper operation.
- It is suggested that the lamp should work in the normal temperature. When it is in high temperature, don't power on. It will lead to the short lifespan.
- Insure that the installation environment is suitable. The lamp should be installed in stable place, in case of shake.
- Due to the surface temperature will be in 50°C, so no device which is sensitive to the heat could be put around. To ensure the suitable working temperature, keep the product is far from the heat source and work in mild environment.