



## DESCRIPTION

ACT series LED Emergency Driver is UL listed for Field and factory installation that allows the same led fixture to be used for both normal and emergency operation. In the event of a power failure, the emergency driver switches to emergency mode and operates the existing fixture to 90 minutes.

The unit contains a battery, charge, and converter for individual fixture requirements. This module will operate an LED array load at 15w, 25w, 40w with constant power at a rated output voltage of 170VDC. The patented constant power design of the module maintains the output wattage to LED array even as the system voltage diminishes, resulting in a constant illumination level for entire emergency runtime.

The integrated self-diagnostic circuitry will automatically conduct 3 monthly 30 minutes and annual 90-minute tests to verify proper emergency capability per Life Safety Code requirements.

## SPECIFICATION

Input Voltage .....	(Universal) 120-347VAC, 50/60Hz
Input Power (120V/277V) .....	12 Watts (max)
Output Voltage .....	170 VDC
Output Power .....	15, 25, 40 Watts
Power Factor .....	≥ 0.85
EMI (Radiated and Conducted) .....	FCC Class A (charge and EM modes)
Surge Protection .....	Meets ANSI/IEEE C62.41.2-2002
Emergency Operation .....	90 minutes
Charge Time .....	24 Hours Recharge
Battery .....	Lithium battery 0° to 55° C
Weight .....	1.21 kg
Approval .....	cUL Listed for factory and field installation

## ADVANTAGES

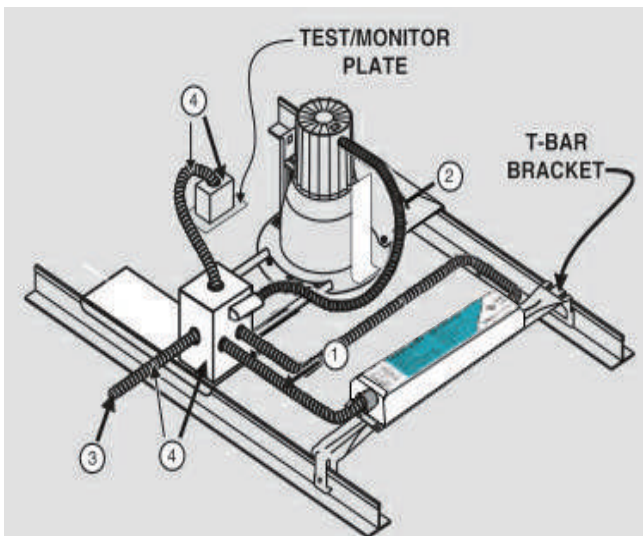
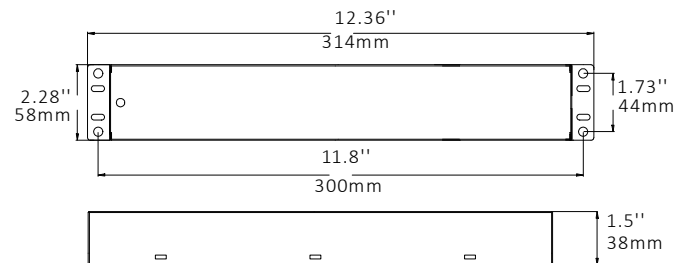
- Optimized for higher voltage LED luminaires with 170VDC driver output.
- High Efficiency Performance meets CEC efficiency standards (CEC-400-2014-009-CMF).
- Increased illumination output designed for elevated fixtures
- UL Listed for factory and field installation
- Self-sensing output voltage operates various
- Product types reducing product SKUs for emergency options

## FEATURES

- UL 924 Listed for U.S. and Canada
- Five mounting configurations available
- Long-life, maintenance-free, high temperature recyclable Lithium battery
- **5 - Year Warranty**
- Rated for use in plenum, damp location, and enclosed and gasketed fixtures
- RoHS Compliant

## DIMENSION

Case- 12.36" x 2.28" x 1.5" (314mm x 58mm x 38mm)  
 Mounting Center- 11.8" (300mm)  
 Flexible Conduit 13" (330mm)



Case Length	314mm
Case Width	58mm
Case Height	38mm
Mounting Length	330mm

## ORDER DETAILS

## Output Voltage

### ZLEB15ACT-170

DC170VDC

**Output Power**

15w

**Input Current**

200mA(Max)

**Input Power**

12W(Max)

**Input Voltage**

100-347VAC,50-60Hz

**Emergency Operation**

≥90 Minutes

**Operating Temp**

0° to 50° C

**Battery**

Lithium

**Recharge**

24 Hrs

### ZLEB25ACT-170

DC170VDC

**Output Power**

25w

**Input Current**

200mA(Max)

**Input Power**

12W(Max)

**Input Voltage**

100-347VAC,50-60Hz

**Emergency Operation**

≥90 Minutes

**Operating Temp**

0° to 50° C

**Battery**

Lithium

**Recharge**

24 Hrs

### ZLEB40ACT-170

DC170VDC

**Output Power**

40w

**Input Current**

200mA(Max)

**Input Power**

12W(Max)

**Input Voltage**

100-347VAC,50-60Hz

**Emergency Operation**

≥90 Minutes

**Operating Temp**

0° to 50° C

**Battery**

Lithium

**Recharge**

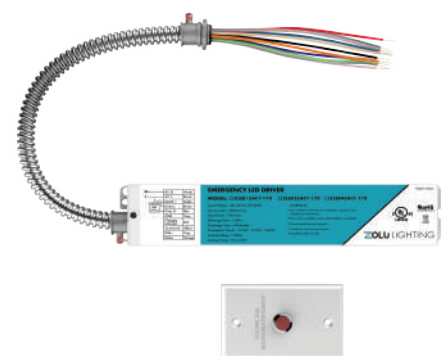
24 Hrs

NOTE: ZLEBYACT-170

YY=Output Power; 15W, 25W, 40W

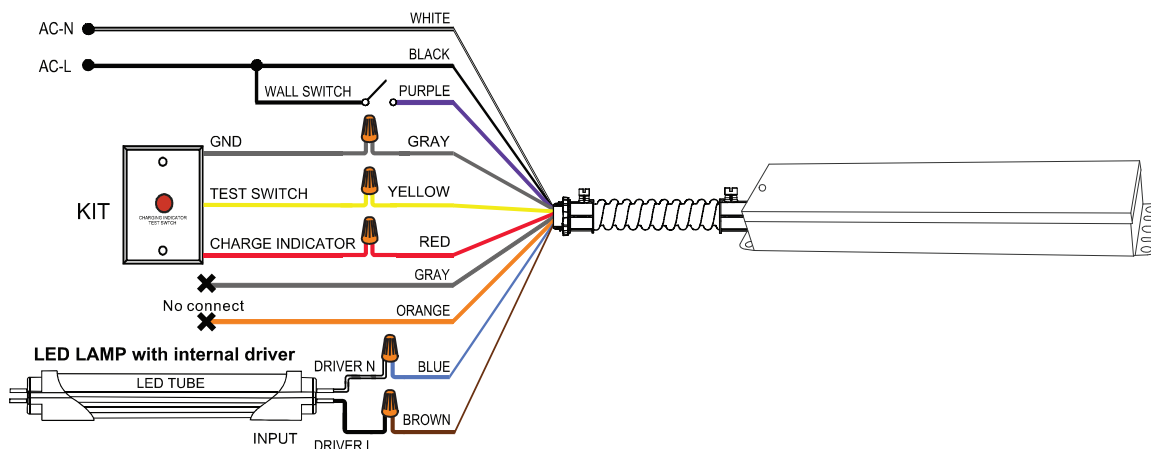
TT=Sales Code

170=Output Voltage



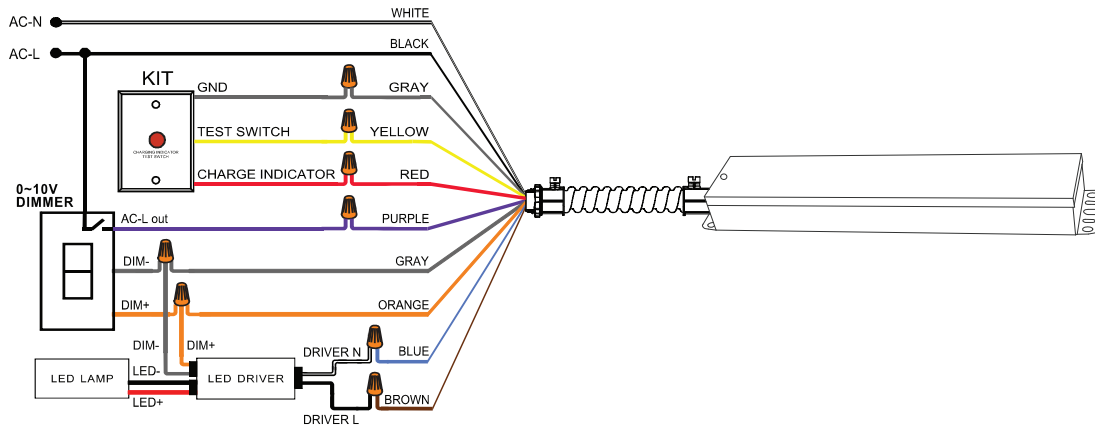
## WIRING DIAGRAM

1. Normal solution :When the led driver power less than the emergency power

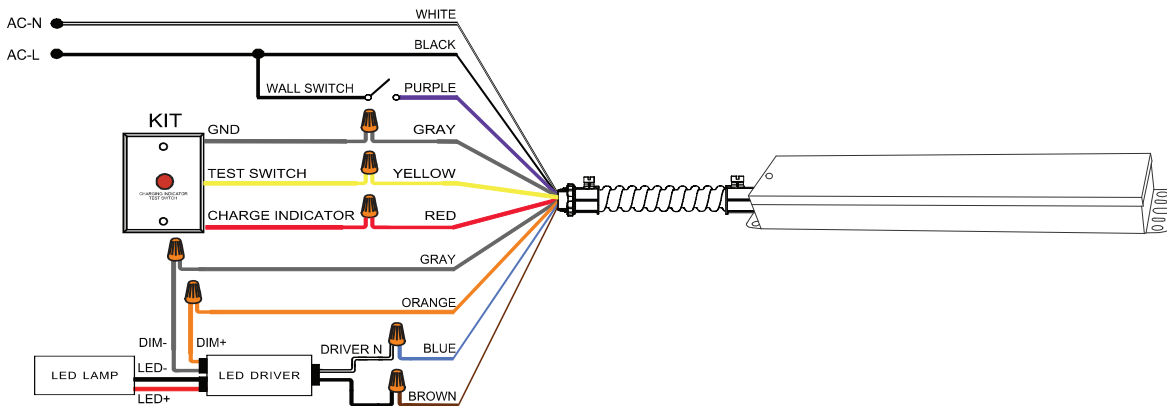


## WIRING DIAGRAM

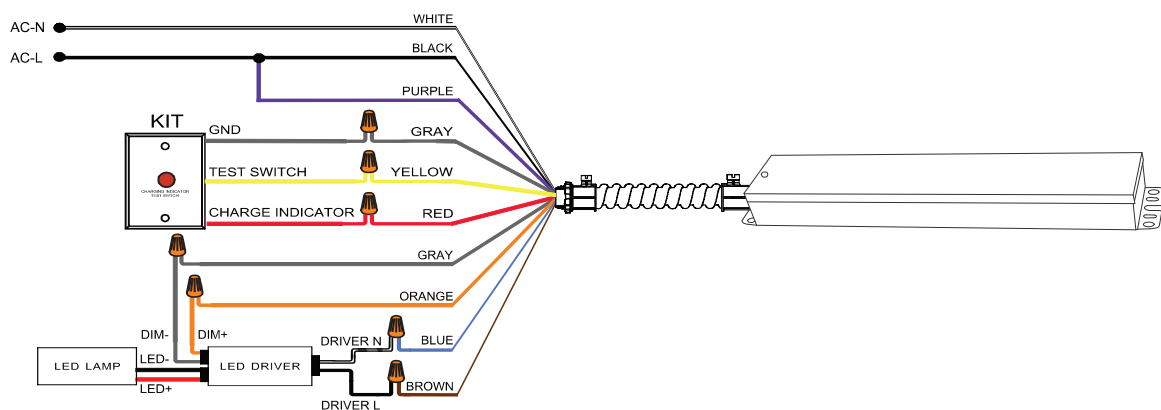
2. when the led driver power more than emergency led driver with dimmer



3. without dimmer



4. without switch and without dimmer



## Caution

During AC operation, remember no touch or remove any wires in case of electric shock.

During emergency operation, before touching and disconnecting the wires, remember to press the test button again to make the led lamp and indicator light off to avoid electric shock.

For the emergency led driver 15w work with LED lamp not more than 15w no need dimmable function, and more than

15w need the dimmable function .The same as 25w and 40w.

The voltage input to the dimmable wires (DIM+,DIM-) of must emergency LED driver less than 20Vdc.

For the emergency led driver 15w better work with LED lamp not more than 100w, for the 25w emergency led driver better work with led lamp not more than 150w ,for the 40w emergency driver must work with led lamp not more than 300w.